

**Absolute Process Instruments, Inc.**

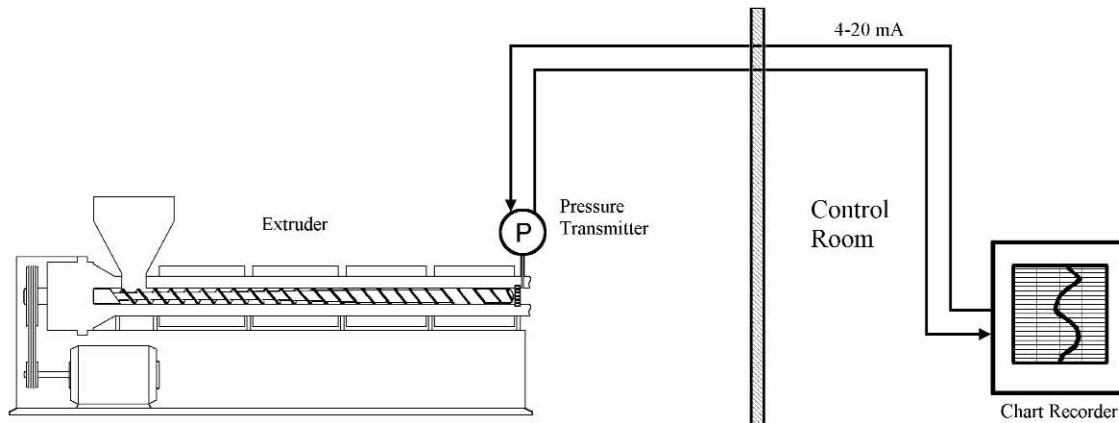
Manufacturer of Quality Signal Conditioners Transmitters & Isolators

# Application Notes

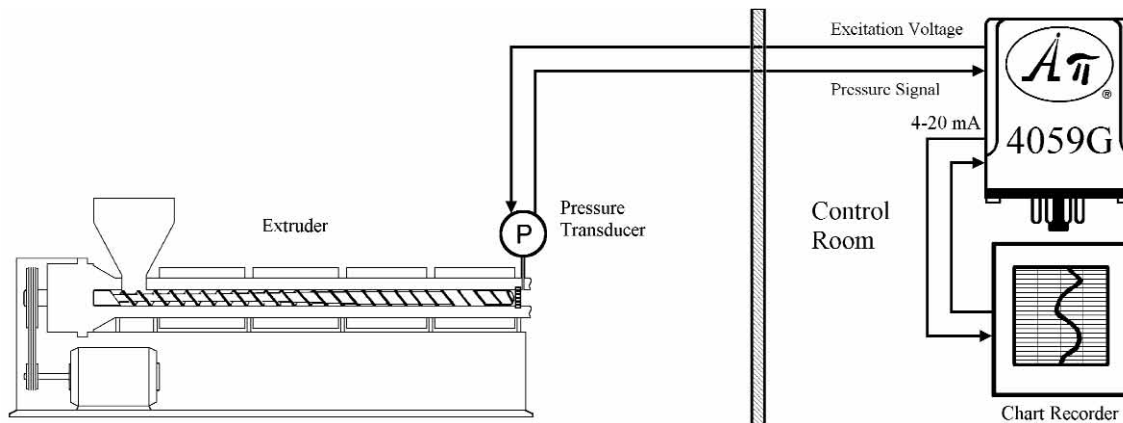
- General Info
- Temperature
- Pressure
- Flow
- Speed
- Weighing
- Process

## Why Take the Heat When You are Under Pressure?

Sometimes it is necessary to locate a pressure sensor where it is continuously exposed to temperatures near or exceeding its upper temperature limits. When a pressure transmitter is used, the high temperatures gradually degrade the electronics and considerably shorten the life of the sensor. The cost of production downtime and repair or replacement of the sensor can run into thousands of dollars.



A solution would be to use a pressure transducer in the high temperature area and an Api Strain Gauge Signal Conditioner mounted in a remote location such as the control room. The transducer will likely withstand the high temperatures for longer periods of time and is less costly to replace should it become necessary. The **API 4059 G** module provides the power to the transducer and is fully field rangeable for the excitation supply, sensitivity and DC voltage or current output. The **API 4059 G** can be calibrated and fine tuned to the new transducer in minutes reducing the downtime to a minimum.



### Did You Know...?

The **API 4059 G** can drive up to four load cells for summing applications.

**FREE APPLICATION ASSISTANCE**  
 Call **Customer Service**  
**800-942-0315**

